



Product Features

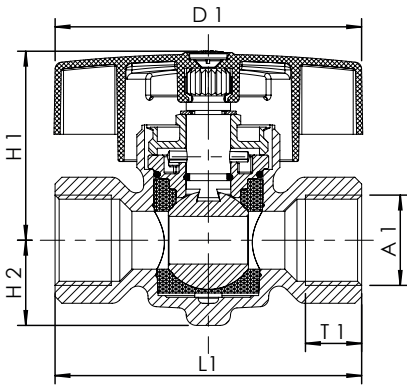
- low pressure loss
- wetted metal parts made from dezincification-free, corrosion-resistant and lead-free gunmetal, resistant against aggressive water
- full bore
- female pipe thread
- removable inner top part TOP-ENTRY, with EPDM gasket body and gunmetal ball
- operating handle 90° rotatable
- free from dead spots

Standards and Approvals

- NSF/ANSI 61 & NSF/ANSI 372
- IAPMO/IGC 302

Technical Data

- pressure rating PN 16
- max. operating temperature 194 °F



part no.	A1	D1	H1	H2	L1	T1	weight
		in	in	in	in	in	lbs
3890001500	FPT 1/2	3.5	2.2	1.0	3.3	0.6	0.23
3890002000	FPT 3/4	3.5	2.2	1.0	3.5	0.6	0.27
3890002500	FPT 1	3.5	2.3	1.1	3.9	0.7	0.38