

Multi-Therm automatic double regulating valve, figure 154 02



Product Features

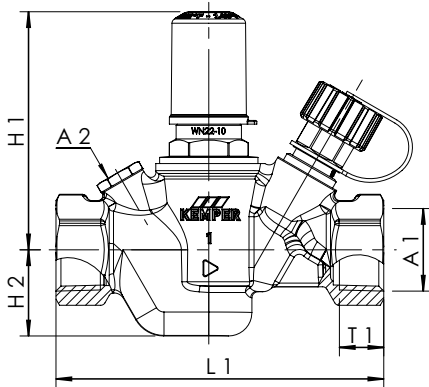
- for hydraulic balancing of hot water return systems (PWH-C), supports thermal disinfection
- wetted metal parts made from dezincification-free, lead free and corrosion-resistant gunmetal, resistant against aggressive water
- isolating unit with temperature sensor pocket
- PTFE seat gasket
- thermostatic regulating unit
- female pipe thread
- with plugged Drain Port
- free from dead spots

Standards and Approvals

- according to:
NSF/ANSI 61
NSF/ANSI 372
IAPMO/IGC 302

Technical Data

- control range 122 °F - 149 °F
- pressure rating PN 16
- max. operating temperature 194 °F



Part no.	size	A1 inch	A2 inch	H1		H2		L1		T2		kvs
	DN	(FNPT)	(G-thread)	inch	mm	inch	mm	inch	mm	inch	mm	(m ³ /h)
1540201500	15	1/2	G 1/4	3,35	85	1,10	28	4,33	110	0,59	15,0	1,3
1540202000	20	3/4	G 1/4	3,35	85	1,30	33	4,84	123	0,64	16,3	1,6
1540202500	25	1	G 1/4	3,84	97,5	1,34	34	5,35	136	0,75	19,1	3,2