

MULTI-FIX-PLUS double-regulating valve, figure 155 6G



Product Features

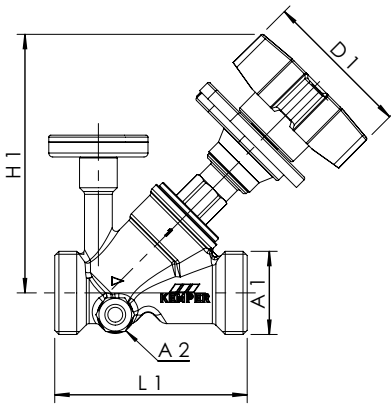
- for hydraulic balancing of hot water return systems (PWH-C)
- wetted metal parts made from dezincification-free, and lead free and corrosion-resistant gunmetal, resistant against aggressive water
- PTFE seat gasket
- maintenance-free spindle gasket with self-lubricating EPDM lip gasket
- male union thread
- with plugged Drain Port
- incl. thermometer
- with pocket for temperature sensor Pt 1000
- free from dead spots
- keeps throttle pre-setting when valve is closed and opened
- with indicator for pre-setting

Standards and Approvals

- according to:
NSF/ANSI 61
NSF/ANSI 372
IAPMO/IGC 302

Technical Data

- pressure rating PN 16
- max. operating temperature 221 °F



Part no.	size	A1 inch	A2 inch	D1		H1		L1		kvs
	DN	(G-thread)	(G-thread)	inch	mm	inch	mm	inch	mm	(m ³ /h)
1556G01500	15	G 3/4	G 1/4	2,97	75,5	4,57	116	2,76	70	4,48
1556G02000	20	G 1	G 1/4	2,97	75,5	4,84	123	3,09	78,5	6,28
1556G02500	25	G 1 1/4	G 1/4	2,97	75,5	5,12	130	3,82	97	10,81
1556G03200	32	G 1 1/2	G 1/4	2,97	75,5	5,16	131	4,33	110	15,56
1556G04000	40	G 1 3/4	G 1/4	2,97	75,5	5,43	138	5,12	130	19,19
1556G05000	50	G 2 3/8	G 1/4	2,97	75,5	5,91	150	5,71	145	20,72