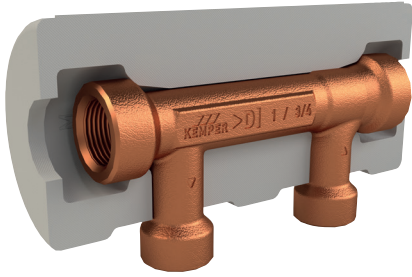


KHS Flow-Splitter - dynamic, figure 651 20



Product Features

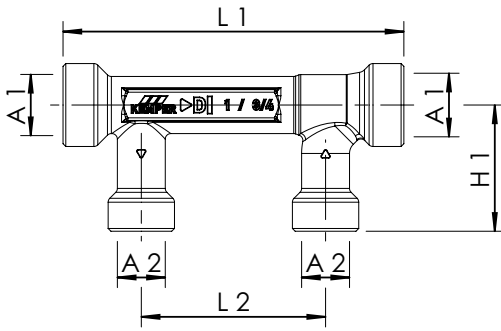
- to avoid stagnation in cold water pipework (PWC)
- KHS Flow-Splitter - dynamic, according to the Venturi principle, including dynamic cartridge, flow and return branch for connection of outlets / plumbing units
- wetted metal parts made from dezincification-free, leadfree and corrosion-resistant gunmetal, resistant against aggressive water
- KHS Flow-Splitter pass with female thread
- plumbing unit feed pipe with female thread
- plumbing unit return pipe with female thread
- maintenance free
- free from dead spots

Standards and Approvals

- according to:
 - NSF/ANSI 61
 - NSF/ANSI 372
 - IAPMO/IGC 302
- acc. IAPMO IGC 302-2013

Technical Data

- pressure rating PN 16
- max. operating temperature 194 °F



| Part no. | size | A1 inch | A2 inch | H1 | | L1 | | L2 | |
|------------|------|------------|------------|------|------|------|-----|------|-----|
| | DN | (FNPT) | (G-thread) | inch | mm | inch | mm | inch | mm |
| 6512001500 | 15 | 1/2 | 1/2 | 1,91 | 48,5 | 7,28 | 185 | 3,94 | 100 |
| 6512002000 | 20 | 3/4 | 3/4 | 2,30 | 58,5 | 7,28 | 185 | 3,94 | 100 |
| 6512002500 | 25 | 1 | 3/4 | 2,70 | 68,5 | 7,28 | 185 | 3,94 | 100 |
| 6512003200 | 32 | 1 1/4 | 3/4 | 2,89 | 73,5 | 7,68 | 195 | 3,94 | 100 |
| 6512004000 | 40 | 1 1/2 | 1 | 3,09 | 78,5 | 8,11 | 206 | 3,94 | 100 |
| 6512005000 | 50 | 2 | 1 | 3,48 | 88,5 | 8,62 | 219 | 3,94 | 100 |