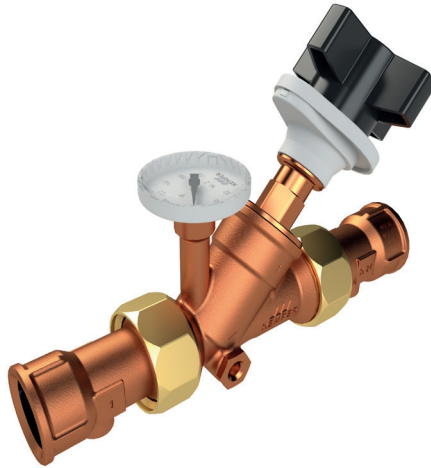


Installation, Operating, and Safety Instructions

KEMPER MULTI-FIX-PLUS Static Balancing Valve

Figure 155 6G



Content

1	Info	3
1.1	Safety warnings & installation instructions.....	3
2	Product information	5
2.1	Scope.....	5
2.2	Technical data Dimensions.....	5
3	Installation	7
3.1	Assembly instructions.....	7
3.2	Example for a preset.....	7

1.1 Safety Warnings & Installation Instructions

READ AND UNDERSTAND THESE WARNINGS AND INSTRUCTIONS FIRST.

Labeling of important warning information:

WARNING indicates a hazardous situation which, if not avoided, could result in death or serious injury.

CAUTION indicates a hazardous situation which, if not avoided, could result in minor or moderate injury.

NOTICE is used to address practices not related to physical injury.

WARNING

Closely review all safety warnings in this manual before installation or use of the valve. Failure to review these safety warnings may lead to injury or property damage!

CAUTION

A trained and qualified plumber must install this valve.

CAUTION

All service and repair work should be performed by a trained and qualified plumber using suitable tools and original spare parts.

NOTICE

Check and comply with all applicable federal, state, and local safety and industry codes and standards.

Pass these instructions on to the system operator and retain for later reference!

CAUTION

Carefully inspect the valve before installation for any signs of damage which may have occurred during transportation or storage. Do not use the valve if it seems in any way damaged!

CAUTION

Make sure that the installation location is frost-proof. Perform a leak test after installation and before commissioning the plumbing installation.

WARNING

During valve operation, parts of the valve may heat and burn exposed skin.

NOTICE

This valve is intended for use in normal working conditions only. The responsibility for correct selection of the valve to the operating conditions, distribution, and installation is borne by the system designer, contractor, and user.

WARNING

Discard all unused parts and packaging material after installation in accordance with federal, state, and local requirements. **Small parts may be a choking hazard!**

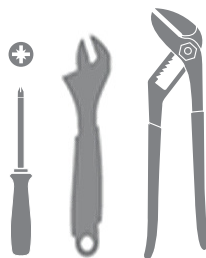
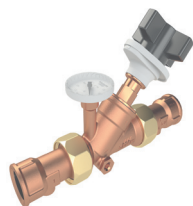
Warranty Disclaimer

EXCEPT FOR THE EXPRESS WARRANTIES SET FORTH HEREIN, GEBR. KEMPER GMBH + CO. KG GRANTS NO EXPRESS OR IMPLIED WARRANTIES AND SPECIFICALLY DISCLAIMS ANY OTHER WARRANTIES, WHETHER WRITTEN OR ORAL, INCLUDING ANY WARRANTY OF QUALITY, MERCHANTABILITY, OR FITNESS FOR A PARTICULAR USE OR PURPOSE.

GEBR. KEMPER GMBH + CO. KG SHALL NOT BE LIABLE FOR DAMAGES ARISING FROM ANY DISREGARD OF THESE SAFETY WARNINGS & INSTALLATION INSTRUCTIONS, OR ANY DAMAGE CAUSED BY FAULTY INSTALLATION OF THE VALVE, ANY UNAUTHORIZED PRODUCT MODIFICATIONS, OR ANY INCORRECT OPERATION OF THE VALVE.



Fig. 155 6G



2.1 Scope

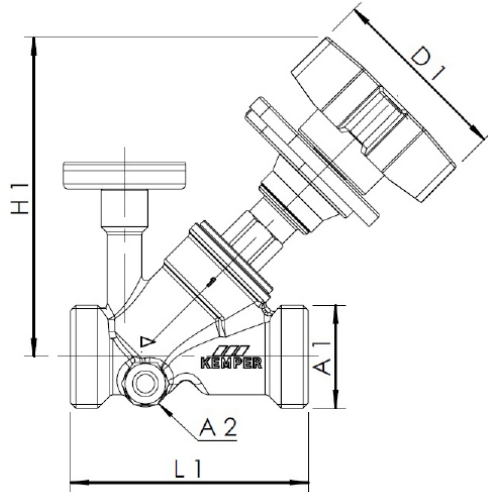
The MULTI-FIX-PLUS static balancing valve is for hydraulic balancing of hot water circulation installations. The valve can be adjusted to have a specified operating point.

The operating point is defined by a specific flow rate and the required pressure drop at this flow rate.

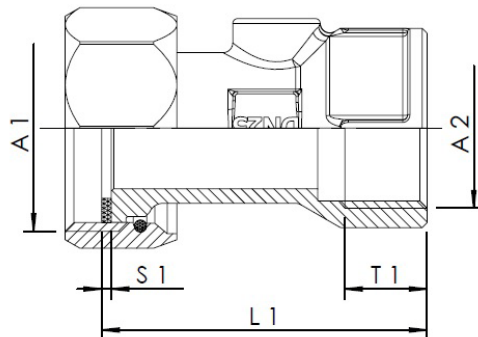
2.2 Technical data | Dimensions

Technical data	
Area of application	For hydraulic balancing of hot water return systems. Suitable for drinking water.
Factory-alignment	Full flow at pre-setting 6.9
Max. permissible operating temperature	Max. 110 °C (230 °F) - permanent
Rated pressure	PN 16
Rated sizes	Fig. 155 6G ⇒ DN 15, 20, 25, 32, 40, 50
Connecting versions	Male G-thread acc. ISO 228-1 for flat gasket union connection

Dimensions	DN 15	DN 20	DN 25	DN 32	DN 40	DN 50
A1 inch (G-thread)	G 3/4	G 1	G 1 1/4	G 1 1/2	G 1 3/4	G 2 3/8
A2 inch (G-thread)	G 1/4	G 1/4	G 1/4	G 1/4	G 1/4	G 1/4
H1 inch	4.57	4.84	5.12	5.16	5.43	5.91
L1 inch	2.76	3.09	3.82	4.33	5.12	5.71
D1 inch	2.97	2.97	2.97	2.97	2.97	2.97



Dimensions	DN 15	DN 20	DN 25	DN 32	DN 40	DN 50
A1 inch (G-thread)	G 3/4	G 1	G 1 1/4	G 1 1/2	G 1 3/4	G 2 3/8
A2 inch	FPT 1/2	FPT 3/4	FPT 1	FPT 1 1/4	FPT 1 1/2	FPT 2
L1 inch	2.2	2.4	2.6	2.8	2.8	3.2
T1 inch	0.6	0.6	0.8	0.8	0.8	1.0



3.1 Assembly instructions

⚠CAUTION

The valve must be installed in an accessible place by qualified personnel. Always install valve in the direction of flow (see flow arrow on the body).

⚠CAUTION

Enclosed union connectors with union nut and flat gasket must be used for pipe connection. The valve setting needs to be adjusted to the required pre-setting.

3.2 Example for a preset

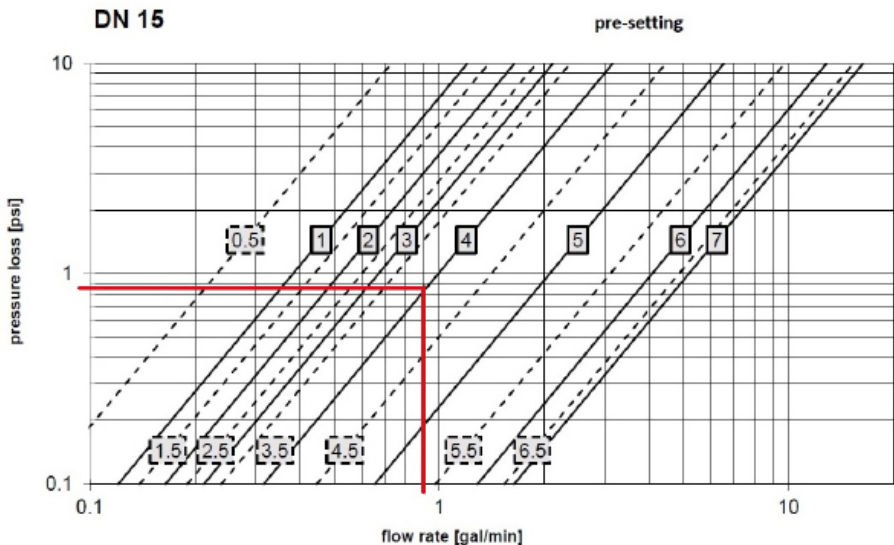
Example operating point: $\Delta p = 0.82$ psi, $V = 0.9$ gal/h.

1 The operating point of the above-mentioned values is at 4.

This pre-setting needs to be adjusted at the valve.

Flow Diagram

Multi-Fix Plus, Figure 155 6G



- 2** **Setting the desired flow rate values**
Turn the handwheel to set the valve to the determined scale value.

- 3** **Fixate the pre-setting**
Hold the handwheel and fixate the control position by turning the adjustment cap to the limit stop. The valve can now be used to isolate the pipe, but can only be opened till the preset limit.

