



**Product Features**

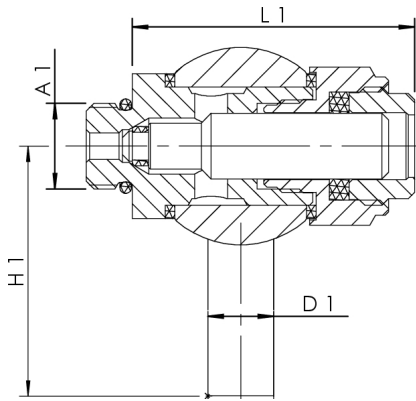
- to sample drinking water and determine microbiological parameters according to the German TrinkwV drinking-water regulation
- wetted parts made of stainless steel
- sampling pipe can be disinfected by flame
- valve body and sampling pipe can be rotated 360°
- can be attached to all Kemper valves with test/drain-port
- valve is operated with 5 mm allen key (not in package)
- free from dead spots
- for any installation position

**Standards and Approvals**

- DVGW approval
- plastic parts with KTW- and W 270 approval

**Technical Data**

- pressure rating PN 16
- max. operating temperature 90 °C



Part No.	DN	for DN	for DN with flange valves	A1	D1 (mm)	H1 (mm)	L1 (mm)
0870000600	8	15-50	15-25	G 1/4	10	125	43
0870001000	10	65-150	32-150	G 3/8	10	125	43