



## Product Features

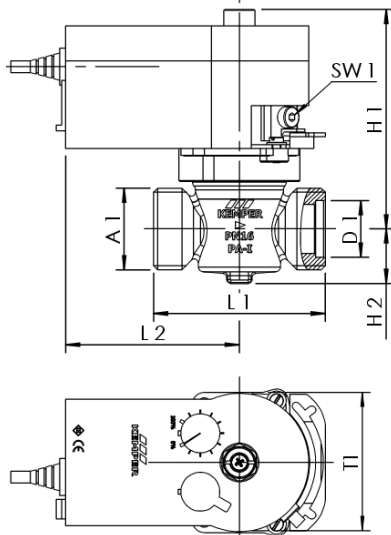
- electrical shut-off device, can be combined with flushing system
- low pressure loss
- wetted metal parts made of stainless steel and gunmetal
- two position step actuator with status feedback
- 90° rotatable
- water hammer free operation
- easy maintenance while installed
- maintenance free gear
- for connection to KHS Logic Control Box or BMS
- self-centering shaft adapter with flange for assembly on the valve
- male union thread
- removable head part TOP-ENTRY, with EPDM gasket body and stainless steel closing body
- free from dead spots

## Standards and Approvals

- DVGW approval
- soundproofing certificate according to DIN EN ISO 3822 Cl. 1
- DIN EN 13828

## Technical Data

- min. operating temperature °C
- max. operating temperature 167 °F
- max. ambient temperature 55 °C
- protection class IP54
- power supply 24 V AC/DC
- position feedback 0...10 V
- elapsed time for actuated changeover 35 s
- power input 9 W
- length of connection cable 3.9 ft
- wire cross section 5 x 0.5 mm<sup>2</sup>
- diameter of the sensor mm



| Part No.   | DN | A1      | D1 (mm) | H1 (mm) | H2 (mm) | L1 (mm) | L2 (mm) | T1 (mm) |
|------------|----|---------|---------|---------|---------|---------|---------|---------|
| 6860001500 | 15 | G 3/4   | 18      | 110     | 25      | 68      | 89      | 72      |
| 6860002000 | 20 | G 1     | 22.5    | 110     | 25      | 73      | 89      | 72      |
| 6860002500 | 25 | G 1 1/4 | 29      | 112.5   | 28      | 88      | 89      | 72      |
| 6860003200 | 32 | G 1 1/2 | 35      | 115.5   | 31      | 93      | 89      | 72      |

## Accessories

- gunmetal solder union connector, figure 476 04
- gunmetal union connector, union nut, FPT, figure 476 06
- gunmetal union connector, union nut, FPT, with drain valve, figure 476 07
- gunmetal union connector, union nut, MPT, figure 476 08
- solder / pressfit union connector, figure 476 14
- pressfit union connector, MAPRESS stainless steel and copper, figure 476 22
- pressfit union connector, SANPRESS and PROFIPRESS, figure 476 30
- pressfit union connector, SANHA and NiroSan, figure 476 35
- pressfit union connector, MEPLA, figure 476 40
- insulation shell for KHS quarter turn stop valve and CONTROL-PLUS sensors, figure 471 19
- flow limiter DMB, figure 697
- KHS free drain with overflow sensor, figure 688 00
- pressfit union connector for Viega RAXOFIX, figure 476 32